

PRORIL

50Hz

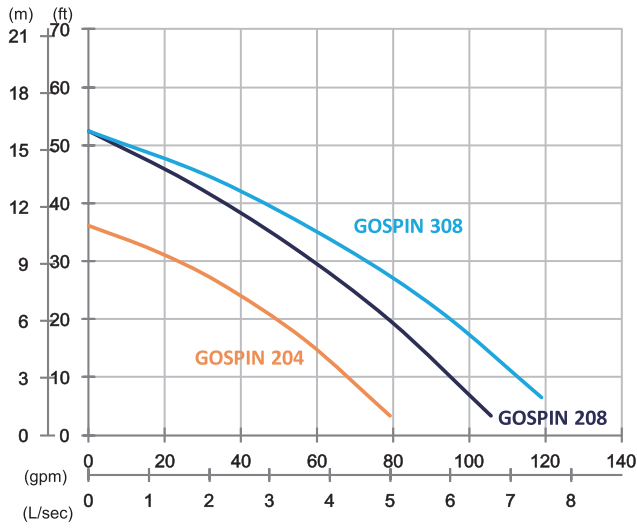
GOSPIN Series, the classical drainage pumps with strainer and rigid casting are engineered for various effluent pumping applications in commercial and industrial sectors.

Sewage Pump

GOSPIN 204/208/308

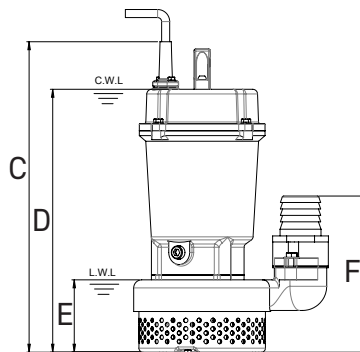
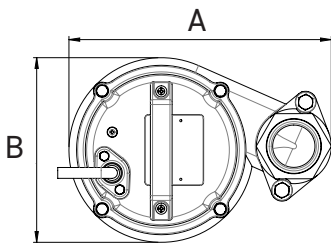
Drainage Pump





	GOSPIN 204	GOSPIN 208	GOSPIN 308
OUTPUT	0.4 kW (0.5 HP)	0.75 kW (1 HP)	0.75 kW (1 HP)
OUTLET	2" (50 mm)	2" (50 mm)	3" (80 mm)
SOLID PASSAGE	5.5 mm	5.5 mm	5.5 mm
Weight	16 kg	21 kg	21 kg
HEAD	Rated: 8 m Max: 11 m	Rated: 10 m Max: 16 m	Rated: 10 m Max: 16 m
FLOW	Rated: 2.2 L/s Max: 5 L/s	Rated: 3.3 L/s Max: 6.7 L/s	Rated: 4.2 L/s Max: 7.5 L/s

Pump Type	Electric Submersible Pumps	
Motor	Phase	1-Phase, 3-Phase
	Type	Induction Motor
	Poles	2 Pole (2850 rpm)
	Insulation	Class F
	Protector	Circle Thermal Protector
	Starter	1-Phase · Capacitor-Run, 3-Phase · D.O.L.
Lubricant	Food Grade (ISO VG32)	
Specs.	Impeller Type	Semi-Open
	Shaft Seal	Double Mechanical Seal Silicon Carbide VS Ceramic/Carbon
	Bearings	C3 Shielded ball bearings
	Cable	H07RN-F 10 m or longer upon request
Materials	Pump Casing	Gray Iron
	Impeller	Gray Iron
	Motor Frame	Gray Iron
	Motor Shaft	Stainless Steel
	Strainer	Stainless Steel
Max. Liquid Temperature	40°C (104°F)	
Max. Submersion Depth	20 m (66 ft)	
pH Range	pH 5 - pH 8	
Guide Rail	GRL-02 (204/208)/GRL-03 (308)	



	A	B	C	D	E	F
GOSPIN 204	245	170	376	326	90	189
GOSPIN 208	267	198	438	388	96	193
GOSPIN 308	281	198	438	388	96	247

unit : mm
C.W.L : Continuous running water level
L.W.L : Lowest running water level